

X 6 Port Duplex LC (12 Fibre) Module

X OM3, OM4 & OS2 Versions

X Compatible with Excel Mixed Use Panel

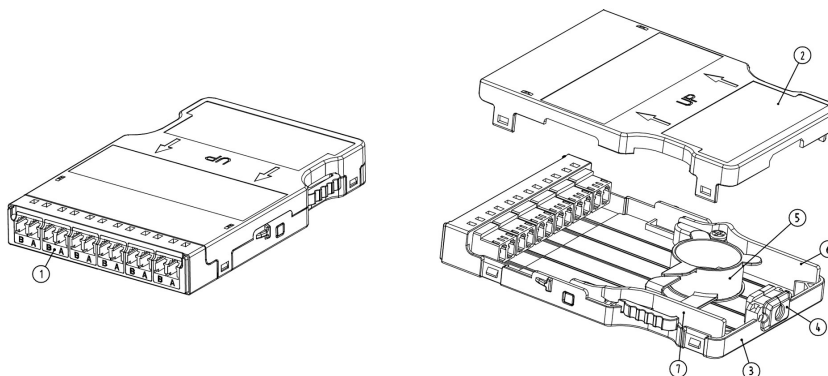
X 25 Year system warranty available

Features

- 6 Port Duplex LC (12 Fibre) Module
- Compatible with Excel Mixed Use Panel
- 4 & 8 Module Patch Panels Frames
- 25 Year system warranty available
- OM3, OM4 & OS2 Versions
- Split grommet cable entry
- Toolless assembly and patch panel fitting

Product Overview

Excel 6 Port Duplex (12 Fibre) LC Modules are available with Multimode and Singlemode adapters. Manufactured from high impact flame retardant plastic the modules are fitted with LC duplex adapters and an internal management wheel to store the slack fibre. The incoming cable is introduced to the module through a split rubber grommet and secured with a cable tie on the inside. After termination the module is simply fitted to one of the compatible Excel Mixed Use Patch Panels permitting different categories of Fibre and Copper to be presented on the same panel without interference. The modules are easily fitted and removed from the rear of the patch panel by activating release latches.

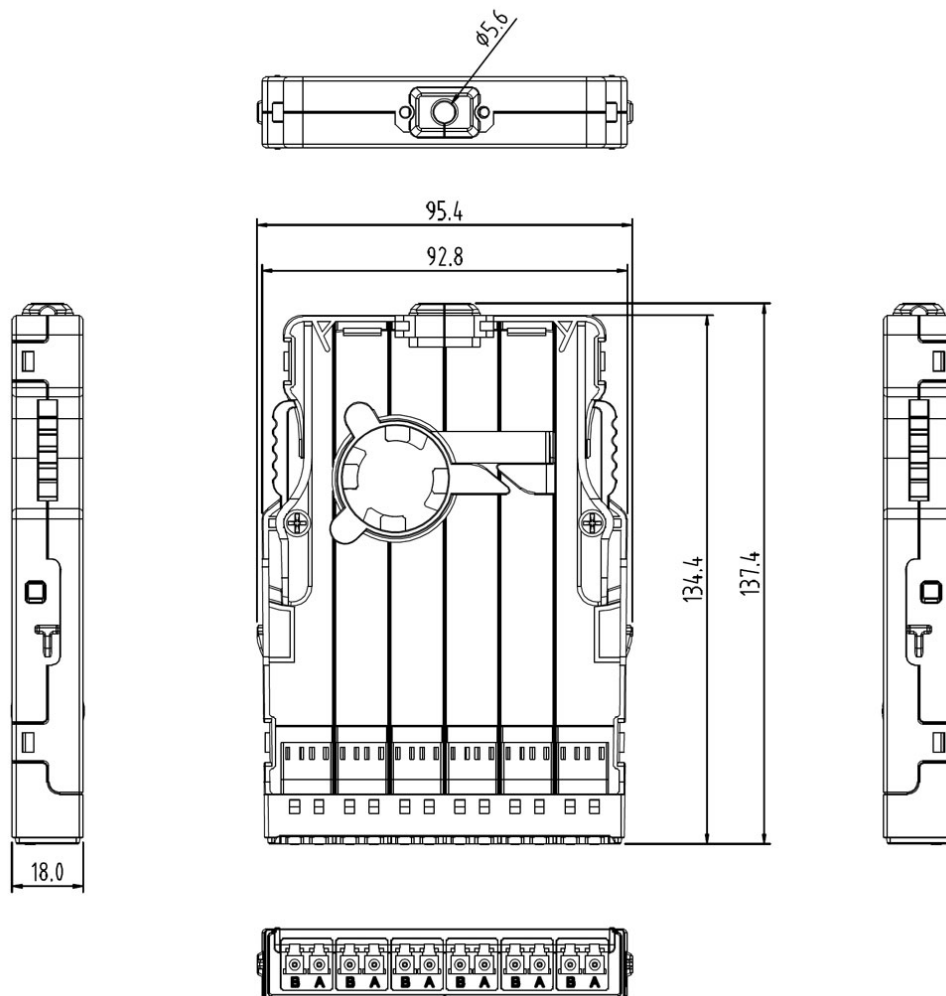


Key

No.	Description
1.	LC Couplers
2.	Module Cover
3.	Module Base
4.	Split Gromet Cable Entry
5.	Cable Management Spool
6. / 7.	Module Latch

Product Dimensions and Materials

Dimension	Value
Width	95.4 mm
Height	18.0 mm
Depth	137.4 mm
Construction	High impact flame retardant plastic UL 94V-0



Fibre Adaptor Performance

Parameter	Value
LC Adaptor Colour - OM3	Aqua
LC Adaptor Colour - OM4	Rose
LC Adaptor Colour - OS2	Blue
Alignment Sleeve - OM3 & OM4	Phosphor Bronze
Alignment Sleeve - OS2	Ceramic (Zirconia)
Insertion Loss	0.2 dB Maximum
Durability (500 Matings)	0.15 dB Maximum Increase
Retention Force	100 - 300 grams

Part Number Information

Part No.	Description
201-600	6 Port Duplex (12 Fibre) OM3 LC Module
201-601	6 Port Duplex (12 Fibre) OM4 LC Module
201-602	6 Port Duplex (12 Fibre) OS2 LC Module

(all modules supplied loaded)

Compatible Patch Panel Frames

Part No.	Description
100-230	1U Mixed Use Patch Panel - 4 Module - Unloaded
100-231	1U Mixed Use Patch Panel - 8 Module - Unloaded

Compatible Fibre Modules

Part No.	Description
201-610	Excel 6 Port Duplex (12 Fibre) OM3 LC to MTP Module
201-611	Excel 6 Port Duplex (12 Fibre) OM4 LC to MTP Module
201-612	Excel 6 Port Duplex (12 Fibre) OS2 LC to MTP Module

(all modules supplied loaded)

Compatible Copper Modules

Part No.	Description
100-235	Excel 6 Port Category 6 Unscreened Module
100-236	Excel 6 Port Category 6 Screened Module
100-237	Excel 6 Port Category 6A Screened Module

(all modules supplied loaded)

System Warranty

The Excel System Warranty provides a 25-year product and applications assurance of compliance with the industry performance standard appropriate to the class of cabling installed. The warranty may be applied for by an accredited Excel Partner who has designed, supplied and installed the said system.



Excel is a world-class premium performing end-to-end infrastructure solution - designed, manufactured, supported and delivered - without compromise.

Contact us at sales@excel-networking.com

