

X 6 Port Duplex MTP (12 Fibre) Module

X OM3, OM4 & OS2 Versions

X Compatible with Excel Mixed Use Panel

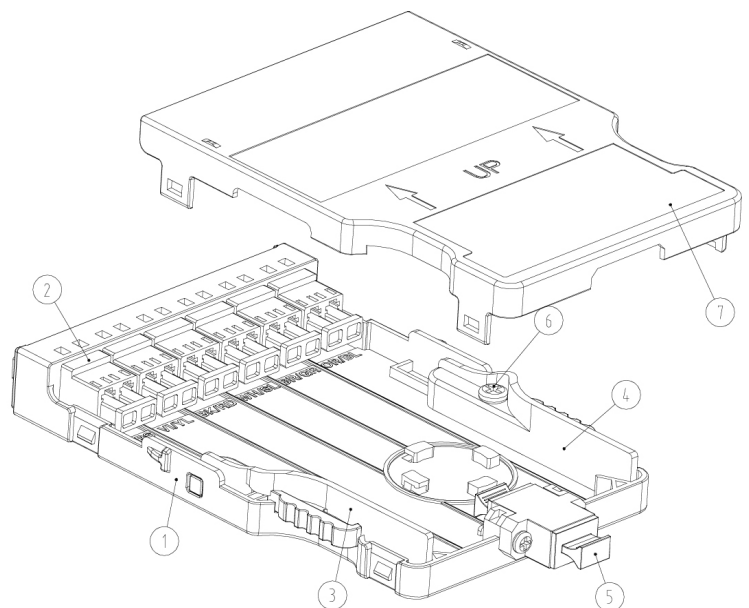
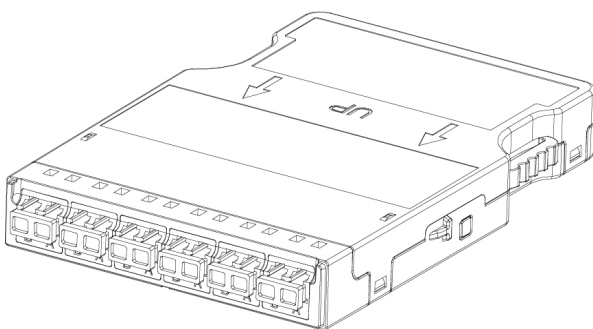
X 25 Year system warranty available

Features

- 6 Port Duplex MTP (12 Fibre) Module
- Compatible with Excel Mixed Use Panel
- 4 & 8 Module Patch Panels Frames
- 25 Year system warranty available
- OM3, OM4 & OS2 Versions
- MTP adapter in rear of module
- Toolless assembly and patch panel fitting

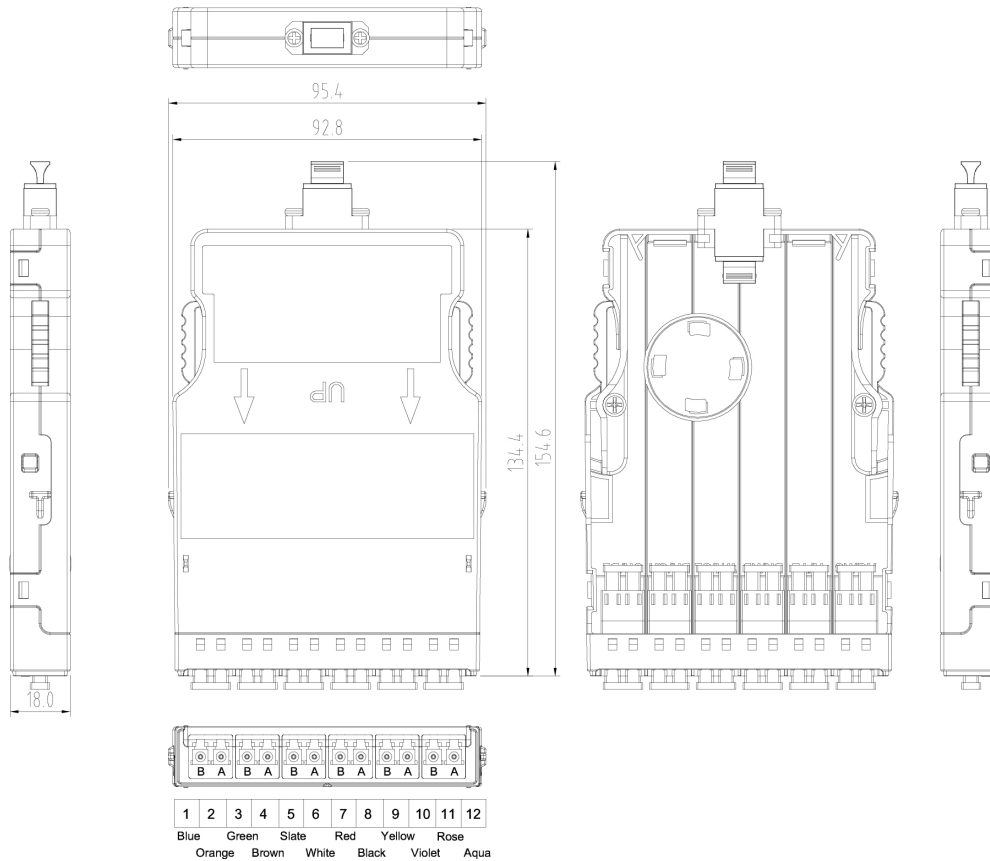
Product Overview

Excel 6 Port Duplex (12 Fibre) MTP Modules are available with Multimode and Singlemode adapters. Manufactured from high impact flame retardant plastic the modules are fitted with LC duplex adapters to the front of the module and MTP to the rear. After termination the module is simply fitted to one of the compatible Excel Mixed Use Patch Panels permitting different categories of Fibre and Copper to be presented on the same panel without interference. The modules are easily fitted and removed from the rear of the patch panel by activating release latches.



Key

1.	Fibre Base
2.	LC Adapter
3.	Latch - L
4.	Latch - R
5.	MTP Adapter
6.	Module Latch
7.	Fibre Cover



Product Dimensions and Materials

Dimension	Value
Width	95.4 mm
Height	18.0 mm
Depth	137.4 mm
Construction	High impact flame retardant plastic UL 94V-0

Fibre Adapter Performance

Parameter	Value
LC Body Colour - OM3	Aqua
LC Body Colour - OM4	Heather Violet
LC Body Colour - OS2	Blue (PC) Green (APC)
Alignment Sleeve - OM3 & OM4	Ceramic (Zirconia)
Alignment Sleeve - OS2	Ceramic (Zirconia)
Durability (500 Matings)	0.15 dB Maximum Increase
Retention Force	100 - 300 grams
MTP Body Colour	Grey (OM3/4) Black (OS2)
Vendor	US Conec
Spring Clip	Stainless Steel
Compatibility	US Conec Elite Connectors
Key Orientation	OM3/4 Key-up/Key-up, OS2 Key-up/Key-down

Part Number Information

Part No.	Description
201-610	6 Port Duplex (12 Fibre) OM3 LC to MTP Module
201-611	6 Port Duplex (12 Fibre) OM4 LC to MTP Module
201-612	6 Port Duplex (12 Fibre) OS2 LC to MTP Module
(all modules supplied loaded)	

Compatible Patch Panel Frames

Part No.	Description
100-230	1U Mixed Use Patch Panel - 4 Module - Unloaded
100-231	1U Mixed Use Patch Panel - 8 Module - Unloaded

Compatible Fibre Modules

Part No.	Description
201-600	Excel 6 Port Duplex (12 Fibre) OM3 LC Module
201-601	Excel 6 Port Duplex (12 Fibre) OM4 LC Module
201-602	Excel 6 Port Duplex (12 Fibre) OS2 LC Module
(all modules supplied loaded)	

Compatible Copper Modules

Part No.	Description
100-235	Excel 6 Port Category 6 Unscreened Module
100-236	Excel 6 Port Category 6 Screened Module
100-237	Excel 6 Port Category 6A Screened Module
(all modules supplied loaded)	

System Warranty

The Excel System Warranty provides a 25-year product and applications assurance of compliance with the industry performance standard appropriate to the class of cabling installed. The warranty may be applied for by an accredited Excel Partner who has designed, supplied and installed the said system.



Excel is a world-class premium performing end-to-end infrastructure solution - designed, manufactured, supported and delivered - without compromise.

Contact us at sales@excel-networking.com

